

Vic-Strainer®

SERIES 730

Series 730 Vic-Strainer is lighter than flanged "Y" type strainers and provides straight-through flow for lower pressure drop. It installs with two Victaulic couplings, and is rated up to 750 psi/5175 kPa depending upon the installed coupling's pressure rating and size. A durable 304 stainless steel screen is provided. The standard mesh sizes are 12 mesh for sizes 1½ – 3" / 40 – 80 mm and 6 mesh for sizes 4 – 12" / 100 – 300 mm; other mesh sizes are available. Access cap and integral rails permit easy basket removal for cleaning. Basket must be cleaned prior to obtaining 10 psi/69 kPa pressure differential across the basket. Contact Victaulic for details.



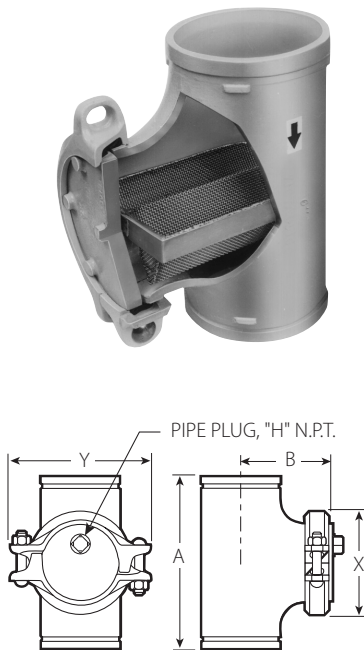
For 14 – 24" / 350 – 600 mm sizes, Victaulic offers the Advanced Groove System (AGS) line of products. Request publication 20.11 for information on the Series W730 AGS Vic-Strainer.

WARNING

- Always depressurize and drain the piping system before attempting to install, remove, or adjust any Victaulic piping products.

Failure to do so could result in serious personal injury, property damage, joint leakage or joint separation.

DIMENSIONS



1½ – 12" / 40 – 300 MM (TYPICAL)

Pipe		Maximum Working Pressure psi/ kPa †	Diameter – Inches/mm					Approx. Weight Each Lbs./ kg
Nominal Size Inches/mm	Actual Outside Diameter Inches/mm		A	B	X	Y	H	
1½ 40	1.900 48.3	750 5175	5.50 140	3.75 95	2.94 75	5.81 148	0.25 6	7.0 3.2
2 50	2.375 60.3	750 5175	6.50 165	4.25 108	3.35 85	5.78 147	0.50 13	5.8 2.6
2½ 65	2.875 73.0	750 5175	7.50 191	4.75 121	3.88 98	6.38 162	0.50 13	8.9 4.0
3 80	3.500 88.9	750 5175	8.50 216	5.25 133	4.54 115	6.81 173	0.75 19	21.0 9.5
4 100	4.500 114.3	750 5175	10.00 254	6.00 152	5.83 148	8.21 209	1.00 25	19.6 8.9
5 125	5.563 141.3	750 5175	11.00 279	6.50 165	7.03 179	9.89 251	1.25 32	31.3 14.2
6 150	6.625 168.3	700 4825	13.00 330	7.50 191	8.26 210	10.83 275	1.25 32	43.3 19.6
8 200	8.625 219.1	600 4130	15.50 394	9.00 229	10.54 268	13.74 349	2.00 51	75.0 34.0
10 250	10.750 273.0	500 3450	18.00 457	10.25 260	12.86 327	16.98 431	2.00 51	136.0 61.7
12 300	12.750 323.9	400 2750	20.00 508	11.25 286	14.86 377	18.88 480	2.00 51	197.2 89.4

† Working pressure is maximum based on Style 07 access coupling and will be governed by couplings used for installation and related system components. Maximum differential pressure from inlet to outlet must not exceed 10 psi (69 kPa).

+Working Pressure is dependent upon the style of Victaulic coupling used to join Series 730 to the piping system.

JOB OWNER

System No. _____
Location _____

CONTRACTOR

Submitted By _____
Date _____

ENGINEER

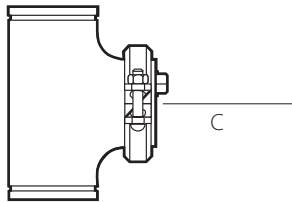
Spec Sect _____ Para _____
Approved _____
Date _____

Vic-Strainer®

SERIES 730



ASSEMBLY CLEARANCE



Typical 1½ – 12"/40 – 300 mm
Series 730 Vic-Strainers

Recommended Minimum Clearance Required to Remove Strainer Basket

Size		"C"	Size		"C"
Nominal Size inches/mm	Actual Outside Diameter inches/mm	Strainer Basket Clearance * inches/mm	Nominal Size inches/mm	Actual Outside Diameter inches/mm	Strainer Basket Clearance * inches/mm
1½ 40	1.900 48.3	4.00 102	5 125	5.563 141.3	8.00 203
2 50	2.375 60.3	5.00 127	6 150	6.625 168.3	10.00 254
2½ 65	2.875 73.0	5.00 127	8 200	8.625 219.1	12.00 305
3 80	3.500 88.9	6.00 152	10 250	10.750 273.0	14.00 356
4 100	4.500 114.3	7.00 178	12 300	12.750 323.9	16.00 406

*Measurement is from the centerline to the top of the basket during removal.

Vic-Strainer®

SERIES 730



PERFORMANCE

C_v values for flow of water at +60°F/+16°C with various disc positions are shown in the table below.

Formulas for C_v Values:

$$\Delta P = \frac{Q^2}{C_v^2}$$

$$Q = C_v \times \sqrt{\Delta P}$$

Where:

Q = Flow (GPM)

ΔP = Pressure Drop (psi)

C_v = Flow Coefficient

Size		C _v	Size		C _v
Nominal Size inches/mm	Actual Outside Diameter inches/mm		Nominal Size inches/mm	Actual Outside Diameter inches/mm	
1½ 40	1.900 48.3	61	5 125	5.563 141.3	685
2 50	2.375 60.3	190	6 150	6.625 168.3	950
2½ 65	2.875 73.0	230	8 200	8.625 219.1	2108
3 80	3.500 88.9	290	10 250	10.750 273.0	2683
4 100	4.500 114.3	425	12 300	12.750 323.9	3872

For 20 – 30"/500 – 750 mm sizes contact Victaulic.

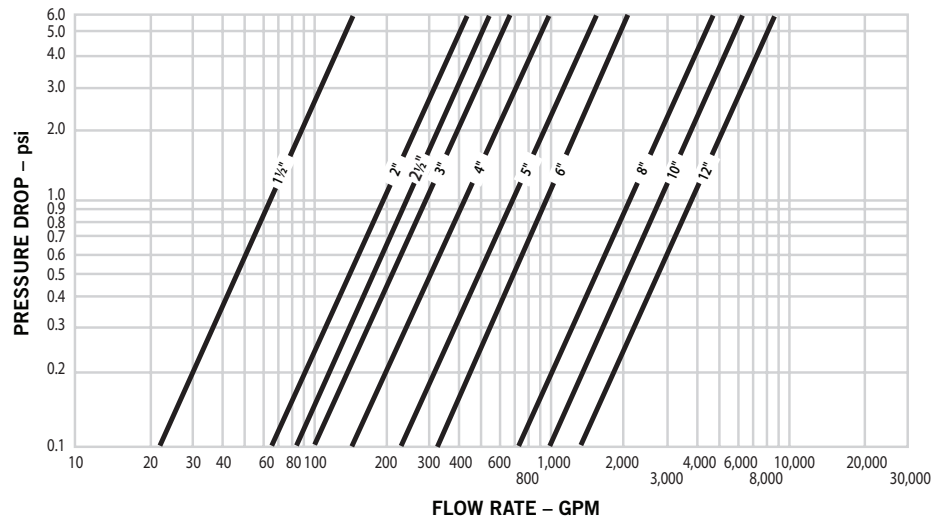
FLOW CHARACTERISTICS

Flow characteristics are charted below and are based on standard 12 mesh for sizes 1½ – 3/40 – 80mm) and 6 mesh for sizes 4 – 12"/100 – 300mm.

Flow may vary from these figures.

For 20 – 30"/500 – 750 mm performance contact Victaulic.

The chart below expresses the flow of water at 65°F/18°C.



Vic-Strainer®

SERIES 730

**MATERIAL SPECIFICATIONS****Body and Coupling:**

2 – 12"/50 – 300mm: Ductile iron conforming to ASTM A-536, grade 65-45-12, with enamel coating. Ductile iron conforming to ASTM A-395, grade 65-45-15, is available upon special request.

Optional: Zinc electroplated

End Cap:

2 – 12"/50 – 300mm: Ductile iron conforming to ASTM A-536, grade 65-45-12, with enamel coating. Ductile iron conforming to ASTM A-395, grade 65-45-15, is available upon special request.

Optional: Zinc electroplated

Basket: Stainless Steel, Type 304, frame and mesh.

1½ – 3"/40 – 80mm: 12 x 12 mesh (0.020" wire) with 0.063" opening.

4 – 12"/100 – 300mm: 6 x 6 mesh (0.041" wire) with 0.126" opening.

Optional: Other mesh sizes and materials available, contact Victaulic for details.

Coupling Gasket: (specify choice*)**Grade "E" EPDM**

EPDM (Green color code). Temperature range –30°F to +230°F/–34°C to +110°C.

Recommended for cold and hot water service within the specified temperature range plus a variety of dilute acids, oil-free air and many chemical services. UL classified in accordance with ANSI/NSF 61 for cold +86°F/+30°C and hot +180°F/+82°C potable water service. NOT RECOMMENDED FOR PETROLEUM SERVICES.

Grade "T" nitrile

Nitrile (Orange color code). Temperature range –20°F to +180°F/–29°C to +82°C.

Recommended for petroleum products, air with oil vapors, vegetable and mineral oils within the specified temperature range. Not recommended for hot water services over +150°F/+66°C or for hot dry air over +140°F/+60°C.

*Services listed are General Service Recommendations only. It should be noted that there are services for which these gaskets are not recommended. Reference should always be made to the latest Victaulic Gasket Selection Guide for specific gasket service recommendations and for a listing of services which are not recommended.

Bolts/Nuts: Heat-treated plated carbon steel, trackhead meeting the physical and chemical requirements of ASTM A-449 and physical requirements of ASTM A-183.

Magnets: Magnets, particularly for lubricating oil service applications and others can be added at the factory. Contact Victaulic for details.

Couplings: Vic-Strainer Series 730 is normally supplied with a Style 07 Zero-Flex coupling for cleaning access. All appropriately sized Victaulic standard grooved pipe couplings will fit (such as Style 78 Snap-Joint quick disconnect coupling) for cleaning access. Pressure ratings will vary according to access coupling (and installing couplings) used. Contact Victaulic for sizes, pressures and pricing for other access couplings.

Other: Special requirements can often be met. Contact Victaulic with specific requirements for recommendations, availability and delivery.

Vic-Strainer®

SERIES 730

**WARRANTY**

Refer to the Warranty section of the current Price List or contact Victaulic for details.

NOTE

This product shall be manufactured by Victaulic or to Victaulic specifications. All products to be installed in accordance with current Victaulic installation/assembly instructions. Victaulic reserves the right to change product specifications, designs and standard equipment without notice and without incurring obligations.

WORLD HEADQUARTERS

P.O. Box 31
Easton, PA 18044-0031 USA

4901 Kesslersville Road
Easton, PA 18040 USA

1-800-PICK-VIC (1-800-742-5842)
1-610-559-3300
1-610-250-8817 (fax)
pickvic@victaulic.com

UNITED STATES

1-800-PICK-VIC (1-800-742-5842)
1-610-250-8817 (fax)
pickvic@victaulic.com

CANADA

905-884-7444
905-884-9774 (fax)
viccanada@victaulic.com

EUROPE

32-9-381-15-00
32-9-380-44-38 (fax)
viceuro@victaulic.be

UK

44 (0) 1438741100
44 (0) 1438313883 (fax)
viceuro@victaulic.be

CENTRAL AND SOUTH AMERICA

1-610-559-3300
1-610-559-3608 (fax)
vical@victaulic.com

ASIA PACIFIC

86-21-58855151
86-21-58851298 (fax)
vicap@victaulic.com

MIDDLE EAST

971-4-883-88-70
971-4-883-88-60 (fax)

www.victaulic.com



WCAS-6AYRR2