

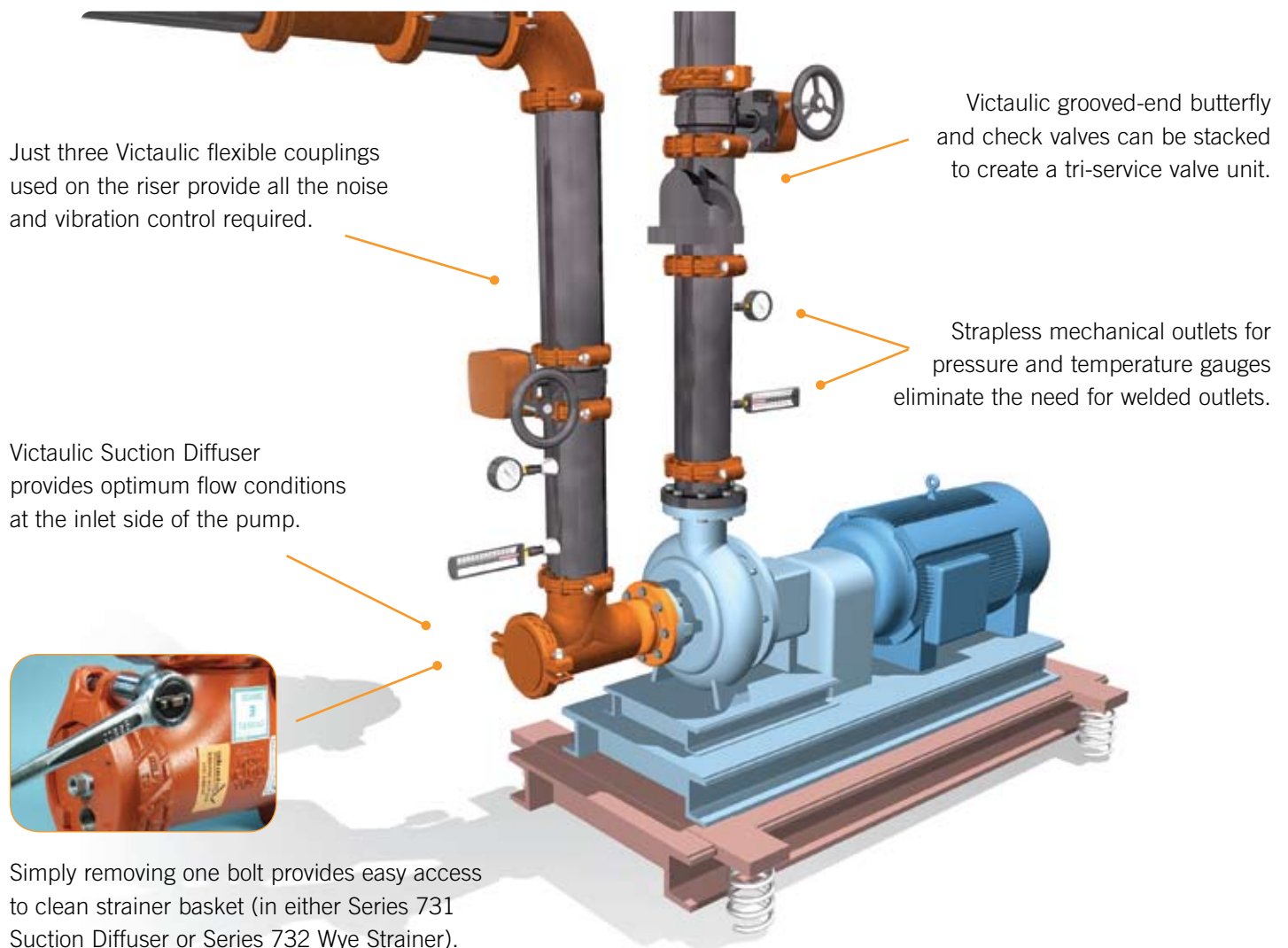
A photograph of an industrial piping system. The system consists of several vertical black pipes connected by horizontal pipes. The pipes are equipped with various accessories, including red handwheels for valves and orange-colored pipe fittings and elbows. In the foreground, a large blue pump is visible, connected to the piping system. The background shows a large industrial facility with a glass facade and structural beams.

Pump Accessories

PIPING SOLUTIONS FOR PUMPS

The Victaulic Advantage

- **Quicker, easier installation for fast-track projects**
- **Cost savings on installation and maintenance**
- **Accommodation of pipe offset**
- **Stress free system (not a compression joint)**
- **Smaller footprint**
- **Lighter component weight**



Pump Piping Solutions

Proven over flex connectors

- proven vibration attenuation up to 43%*
- cost savings
- quicker installation
- longer product life
- stress-free



AVERAGE PERCENT ADDITIONAL ATTENUATION PROVIDED BY THREE (3) VICTAULIC STYLE 77 COUPLINGS OVER FLEXIBLE METAL HOSE



3"	4"	6"
29.2%	23.9%	43.0%

average for frequency range of 10 - 100 Hz

Independent testing conducted by
NUTECH Testing Corporation/SE
Laboratories, Inc

Pumps can cause a lot of noise and vibration in the system. Use of Victaulic products can eliminate the noise and vibration without having to purchase a lot of specialized and expensive metal flex or elastomeric flexible "arch type" connectors.

* for more information see *Victaulic Submittal 26.04*, available for download on www.victaulic.com

Pump System Components



Vic-300 Masterseal™ Butterfly Valve

Style 77 Standard Flexible Coupling

Style 107 QuickVic™
"Installation-Ready"
Rigid Coupling

Series 731-I Suction Diffuser

Series 732 Vic Strainer - Wye Type

Series 779 Venturi Check Valve

Global Solutions

Victaulic pump components are installed around the globe for their numerous installation, maintenance, and system benefits. With more than 3000 employees worldwide, Victaulic has factory-trained piping specialists available to service customers, regardless of project location.



CANADA
UBC Life Sciences Centre



SOUTH KOREA
Philips/LG LCD Plant



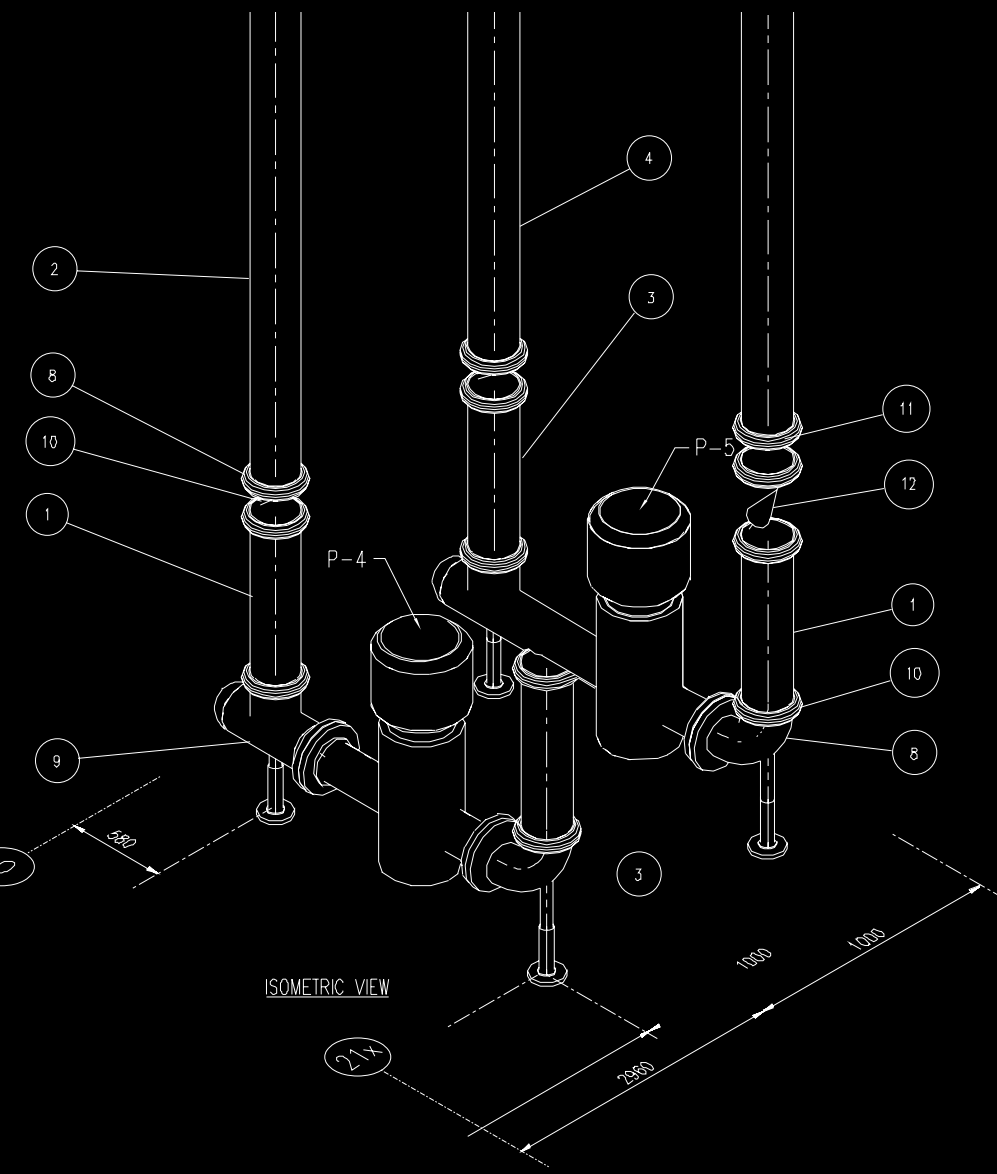
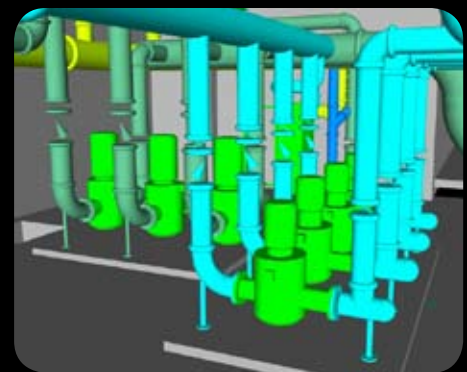
UNITED STATES
Borgata Casino Hotel



SINGAPORE
Singapore Management University

Value Added Services

Victaulic offers **Construction Piping Services (CPS)** to assist customers in all aspects of a project, from pre-planning and concepts to the construction and post construction phases. Isometric and 3D CAD drawings showing pump component details can be supplied along with other services.



The Victaulic **Bag and Tag** program ensures all Victaulic pump components are delivered on-site where and when they are needed. Coordinated shipments and bills of material aid accurate and efficient system assembly.

Piping. Systems. Solutions.

The Victaulic grooved piping system can save you both time and money over traditional piping systems, such as welded, threaded and flanged systems. In addition, our Construction Piping Services Division will be there to assist you every step of the way, from estimating through construction.

Victaulic sets the highest quality standards for all of our products and services. Our highly qualified team of engineers and technicians is constantly researching new and better ways to design and produce Victaulic piping system products that create innovative solutions to meet our customers' unique needs.

If for any reason you are not satisfied with the product you purchased or the service you received from our company, please contact our Customer Service Department at the locations below.



VICTAULIC GLOBAL CONTACT INFORMATION

US & WORLD HEADQUARTERS

P.O. Box 31
Easton, PA 18044-0031 USA

4901 Kesslersville Road
Easton, PA 18040 USA

1-800-PICK-VIC
(+1-800-742-5842)
(within North America)
+1-610-559-3300
+1-610-250-8817 (fax)
pickvic@victaulic.com

www.victaulic.com

CANADA

123 Newkirk Road
Richmond Hill, ON L4C 3G5
+1-905-884-7444
+1-905-884-9774 (fax)
viccanada@victaulic.com

EUROPE

Prijkelstraat 36
9810 Nazareth, Belgium
+32-9-381-15-00
+32-9-380-44-38 (fax)
viceuro@victaulic.be

UNITED KINGDOM

Units B1 & B2, SG1 Industrial Park
Cockerell Close
Gunnels Wood Road
Stevenage
Hertfordshire, SG1 2NB (UK)
+44-(0)-1438-310-690
+44-(0)-1438-310-699 (fax)
0124-60219 (direct to Ireland
within the UK)
viceuro@victaulic.be

CENTRAL AND SOUTH AMERICA

P.O. Box 31
Easton, PA 18044-0031 USA

4901 Kesslersville Road
Easton, PA 18040 USA

+1-610-559-3300
+1-610-559-3608 (fax)
vical@victaulic.com

ASIA

Unit 06-10, Floor 3A
A Mansion 291 Fumin Road
Shanghai, China 200031
+86-21-6170-1222
+86-21-6170-1221 (fax)
vicap@victaulic.com

MIDDLE EAST

P.O. Box 17683
Unit XB 8
Jebel Ali Free Zone
Dubai
United Arab Emirates
+971-4-883-88-70
+971-4-883-88-60 (fax)



WCAS-6UVQ2J